

IMPORTANT:
Read Before Using

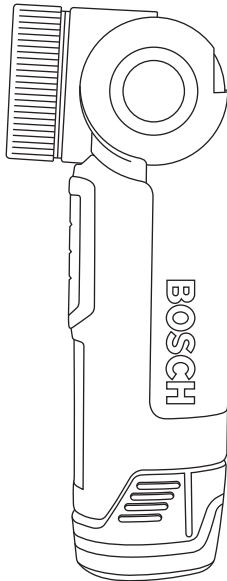
IMPORTANT :
Lire avant usage

IMPORTANTE:
Leer antes de usar



Operating/Safety Instructions
Consignes de fonctionnement/sécurité
Instrucciones de funcionamiento y seguridad

FL10



BOSCH

**Call Toll Free for
Consumer Information
& Service Locations**

**Pour obtenir des informations
et les adresses de nos centres
de service après-vente,
appelez ce numéro gratuit**

**Llame gratis para
obtener información
para el consumidor y
ubicaciones de servicio**

1-877-BOSCH99 (1-877-267-2499) www.boschtools.com

**For English Version
See page 2**

**Version française
Voir page 9**

**Versión en español
Ver la página 26**

IMPORTANT SAFETY INSTRUCTIONS

INSTRUCTIONS PERTAINING TO A RISK OF FIRE, ELECTRIC SHOCK, OR INJURY TO PERSONS

This Flashlight is intended for Household use only.

WARNING - When using electric appliance, basic precautions should always be followed, including the following:

- Read all instruction before using the appliance.
- To reduce the risk of injury, close supervision is necessary when an appliance is used near children.
- Use only the charger supplied by the manufacturer to recharge.
- Do not use outdoors.
- To reduce the risk of electrical shock, do not put the unit in water or other liquid. Do not place or store unit where it can fall or be pulled into a tub or sink.

Please read these instructions carefully before operation in order to use the Flashlight effectively and obtain maximum performance. Please keep these instructions for future reference.

1. Follow all operating and safety procedures attached to the charger and battery pack.
2. Use only Bosch battery pack catalog number BAT411.
3. Do not wash the Flashlight with water nor keep in a damp location. If the Flashlight gets wet, dry it off as soon as possible.
4. The Flashlight is ruggedly constructed. It should, however, be handled with care. Do not disassemble or forcibly pivot head beyond it's stopping point.
5. Check the charge level at least once a month, especially if used for emergency purposes (for example: in your car). If the light seems dimmer, recharge the battery pack.

INSTALLATION INSTRUCTIONS

To Reduce the Risk of Electric Shock, this appliance has a polarized plug (one blade is wider than the other). This plug will fit in a polarized outlet only one way. If the plug does not fit fully in the outlet, reverse the plug. If it still does not fit, contact a qualified electrician to install the proper outlet. Do not change the plug in any way.

WARNING To reduce the risk of electric shock, disconnect battery pack before cleaning or servicing.

INSERTING AND RELEASING BATTERY PACK

To insert battery, align battery and slide battery pack into tool until it locks into position. Do not force.

Release battery pack from tool by pressing on both sides of the battery release tabs and pull downward (Fig. 1).

OPERATION

1. To turn the Flashlight "ON", squeeze and release trigger switch. To turn Flashlight "OFF", squeeze and release trigger switch (Fig. 1).
2. Your Flashlight has a articulating head that can be pivoted to desired position. To change the position of the head, pivot clockwise until it stops. To return head to it's original position, pivot the head counter-clockwise until it stops (Fig. 1).

USER-MAINTENANCE INSTRUCTION

WARNING Always remove the battery pack from handle base before changing the bulb.

WARNING All repairs, electrical or mechanical, should be attempted only by trained repairmen. Contact the nearest Bosch Factory Service Center, Authorized Service Station or other competent repair service.

1. Rotate lens cap counter clockwise and carefully remove lens cap (Fig. 1).
2. Remove bulb from spring.
3. Reinstall replacement bulb in spring.
4. Reinstall lens cap and rotate clockwise to tighten.
5. Use only 10.8V, .65A bulb part number 2610951871 provided by a Bosch Factory Service Center.

Note: One replacement bulb is provided in the bulb storage compartment. To remove spare bulb, rotate cap counter-clockwise with a dime or a flat tip screwdriver to expose bulb.

⚠ WARNING Do not position the lighted Flashlight head on or near flammable or combustible materials. The bulb gets hot during use.

⚠ WARNING The lens gets very hot during use. To reduce the risk of burns, do not touch hot lens. To reduce the risk of fire, keep away from combustible materials while in operation.

⚠ WARNING Do not splash the lighted Flashlight bulb with liquids. Hot bulb may shatter when cooler liquids are contacted.

SAVE THESE INSTRUCTIONS

Battery/Charger

⚠ WARNING Before using battery charger, read all instructions and cautionary markings on (1) battery charger, (2) battery pack, and (3) product using battery.

Use only the charger which accompanied your product or direct replacement as listed in the catalog or this manual. Do not substitute any other charger. Use only Bosch approved chargers with your product. See Functional Description and Specifications.

Do not disassemble charger or operate the charger if it has received a sharp blow, been dropped or otherwise damaged in any way. Replace damaged cord or plugs immediately. Incorrect reassembly or damage may result in electric shock or fire.

Do not recharge battery in damp or wet environment. Do not expose charger to rain or snow. If battery case is cracked or otherwise damaged, do not insert into charger. Battery short or fire may result.

Charge only Bosch approved rechargeable batteries. See Functional Description and Specifications. Other types of batteries may burst causing personal injury and damage.

Charge battery pack in temperatures above +32 degrees F (0 degrees C) and below

+113 degrees F (45 degrees C). Store tool and battery pack in locations where temperatures will not exceed 120 degrees F (49 degrees C). This is important to prevent serious damage to the battery cells.

Battery leakage may occur under extreme usage or temperature conditions. Avoid contact with skin and eyes. The battery liquid is caustic and could cause chemical burns to tissues. If liquid comes in contact with skin, wash quickly with soap and water. If the liquid contacts your eyes, flush them with water for a minimum of 10 minutes and seek medical attention.

Place charger on flat non-flammable surfaces and away from flammable materials when re-charging battery pack.

The charger and battery pack heat during charging. Carpeting and other heat insulating surfaces block proper air circulation which may cause overheating of the charger and battery pack. If smoke or melting of the case are observed unplug the charger immediately and do not use the battery pack or charger.

Use of an attachment not recommended or sold by Bosch may result in a risk of fire, electric shock or injury to persons.

Battery Care

⚠ WARNING When batteries are not in tool or charger, keep them away from metal objects. For example, to protect terminals from shorting DO NOT place batteries in a tool box or pocket with nails, screws, keys, etc. Fire or injury may result.

DO NOT PUT BATTERIES INTO FIRE OR EXPOSE TO HIGH HEAT. They may explode.



Battery Disposal



WARNING Do not attempt to disassemble the battery or remove any component projecting from the battery terminals. Fire or injury may result. Prior to disposal, protect exposed terminals with heavy insulating tape to prevent shorting.

LITHIUM-ION BATTERIES

If equipped with a lithium-ion battery, the battery must be collected, recycled or disposed of in an environmentally sound manner.



“The EPA certified RBRC Battery Recycling Seal on the lithium-ion (Li-ion) battery indicates Robert Bosch Tool Corporation is voluntarily participating in an industry

program to collect and recycle these batteries at the end of their useful life, when taken out of service in the United States or Canada. The RBRC program provides a convenient alternative to placing used Li-ion batteries into the trash or the municipal waste stream, which may be illegal in your area.

Please call 1-800-8-BATTERY for information on Li-ion battery recycling and disposal bans/restrictions in your area, or return your batteries to a Skil/Bosch/Dremel Service Center for recycling. Robert Bosch Tool Corporation's involvement in this program is part of our commitment to preserving our environment and conserving our natural resources.”

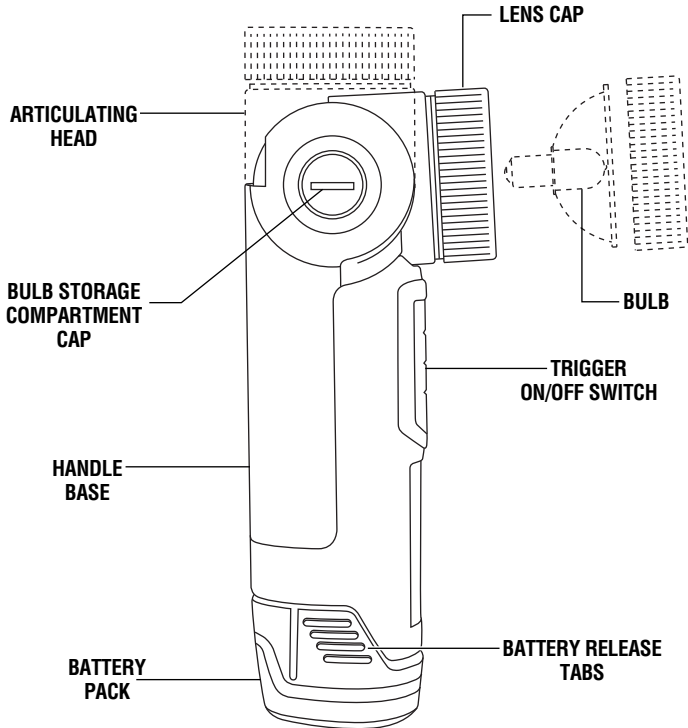


Functional Description and Specifications

⚠ WARNING Disconnect battery pack from tool before making any assembly, adjustments or changing accessories. Such preventive safety measures reduce the risk of starting the tool accidentally.

Model FL10 FlashLight

FIG. 1



Model number	FL10
Voltage rating	10.8V/12V \equiv MAX
Charge time	30 minutes
Battery pack	BAT411, BAT412 & BAT413
Charger	BC430
Voltage rating	120 V \sim 60 Hz
Bulb	2610951871



IMPORTANT CHARGING NOTES

1. The charger was designed to fast charge the battery only when the battery temperature is between 32°F (0°C) and 113°F (45°C). If the battery pack is too hot or too cold, the charger will not fast charge the battery. (This may happen if the battery pack is hot from heavy use). When the battery temperature returns to between 32°F (0°C) and 113°F (45°C), the charger will automatically begin charging.
2. A substantial drop in operating time per charge may mean that the battery pack is nearing the end of its life and should be replaced.
3. Remember to unplug charger during storage period.
4. If battery does not charge properly:

- a. Check for voltage at outlet by plugging in some other electrical device.
- b. Check to see if outlet is connected to a light switch which turns power "off" when lights are turned off.
- c. Check battery pack terminals for dirt. Clean with cotton swab and alcohol if necessary.
- d. If you still do not get proper charging, take or send tool, battery pack and charger to your local Bosch Service Center. See "Tools, Electric" in the Yellow Pages for names and addresses.

Note: Use of chargers or battery packs not sold by Bosch will void the warranty.

CHARGER INDICATORS, SYMBOLS AND MEANING

If the indicator lights are "OFF", the charger is not receiving power from power supply outlet.



If the red indicator light is "ON", the battery pack is too hot or cold for fast-charging. The charger will switch to trickle charge, until a suitable temperature is reached, at which time the charger will switch automatically to fast-charging.



If the green indicator light is "ON", the charger is plugged in but the battery pack is not inserted, or the battery pack is fully charged and is being trickle charged.



If the red indicator light is "BLINKING", the battery pack cannot accept a charge or the contacts of the charger or battery pack are contaminated. Clean the contacts of the charger or battery pack only as directed in these operating instructions or those supplied with your tool or battery pack.



If the green indicator light is "BLINKING", the battery pack is being fast-charged. Fast-charging will automatically stop when the battery pack is fully charged.

CHARGING BATTERY PACK (BC430 30 MINUTE CHARGER)

Plug charger cord into your standard power outlet, then insert battery pack into charger (Fig. 2).

The charger's green indicator light will begin to "BLINK". This indicates that the battery is receiving a fast charge. Fast-charging will automatically stop when the battery pack is fully charged.

When the indicator light stops "BLINKING" (and becomes a steady green light) fast charging is complete.

The battery pack may be used even though the light may still be blinking. The light may require more time to stop blinking depending on temperature. When you begin the charging process of the battery pack, a steady red light could also mean the battery pack is too hot or too cold.

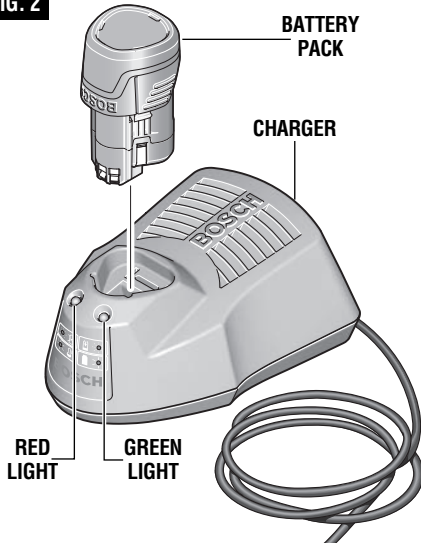
The purpose of the green light is to indicate that the battery pack is fast-charging. It does not indicate the exact point of full charge. The light will stop blinking in less time if the battery pack was not completely discharged.



When charging several batteries in sequence, the charge time may slightly increase.

When the battery pack is fully charged, unplug the charger (unless you're charging another battery pack) and slip the battery pack back into the tool.

FIG. 2



FCC Caution:

The manufacturer is not responsible for radio interference caused by unauthorized modifications to this equipment. Such modifications could void the user's authority to operate the equipment.

This device complies with Part 15 of the FCC Rules. Operation is subject to the following two conditions:

- 1) This device may not cause harmful interference, and
- 2) This device must accept any interference received, including interference that may cause undesired operation.

NOTE! This equipment has been tested and found to comply with the limits for a Class B digital devices, pursuant to Part 15 of the FCC rules. These limits are designed to provide reasonable protection against harmful interference in a residential installation. This equipment generates uses and can radiate radio frequency energy and, if not installed and used in accordance with the instructions, may cause harmful interference to radio communications. However, there is no guarantee that interference will not occur in a particular installation. If this equipment does cause harmful interference to radio or television reception, which can be determined by turning the equipment off and on, the user is encouraged to try to correct the interference by one or more of the following measures:

- Reorient or relocate the receiving antenna.
- Increase the separation between the equipment and receiver.
- Connect the equipment into an outlet on a circuit different from that to which the receiver is connected.
- Consult the dealer or an experienced radio/TV technician for help.

Maintenance

Service

⚠ WARNING **NO USER SERVICE-ABLE PARTS INSIDE.** Preventive maintenance performed by unauthorized personnel may result in misplacing of internal wires and components which could cause serious hazard. We recommend that all tool service be performed by a Bosch Factory Service Center or Authorized Bosch Service Station. **SERVICEMEN:** Disconnect tool and/or charger from power source before servicing.

BATTERIES

Be alert for battery packs that are nearing their end of life. If you notice decreased tool performance or significantly shorter running time between charges then it is time to replace the battery pack. Failure to do so

can cause the tool to operate improperly or damage the charger.

Cleaning

⚠ WARNING **To avoid accidents, always disconnect the tool and/or charger from the power supply before cleaning.** The tool may be cleaned most effectively with compressed dry air. **Always wear safety goggles when cleaning tools with compressed air.**

⚠ CAUTION **Certain cleaning agents and solvents damage plastic parts.** Some of these are: gasoline, carbon tetrachloride, chlorinated cleaning solvents, ammonia and household detergents that contain ammonia.

Accessories

⚠ WARNING **If an extension cord is necessary, a cord with adequate size conductors that is capable of carrying the current necessary for your tool must be used.** This will prevent excessive voltage drop, loss of power or overheating. Grounded tools must use 3-wire extension cords that have 3-prong plugs and receptacles.

NOTE: The smaller the gauge number, the heavier the cord.

**RECOMMENDED SIZES OF EXTENSION CORDS
120 VOLT ALTERNATING CURRENT TOOLS**

Tool's Ampere Rating	Cord Size in A.W.G.				Wire Sizes in mm ²			
	Cord Length in Feet				Cord Length in Meters			
	25	50	100	150	15	30	60	120
3-6	18	16	16	14	0.75	0.75	1.5	2.5
6-8	18	16	14	12	0.75	1.0	2.5	4.0
8-10	18	16	14	12	0.75	1.0	2.5	4.0
10-12	16	16	14	12	1.0	2.5	4.0	—
12-16	14	12	—	—	—	—	—	—

CONSIGNES DE SÉCURITÉ IMPORTANTES

CONSIGNES DE SÉCURITÉ POUR ÉVITER LES RISQUES D'INCENDIE, DE CHOC ÉLECTRIQUE ET DE BLESSURE

Cet lampe torche est conçu exclusivement pour un usage ménager.

AVERTISSEMENT Suivez toujours des précautions élémentaires, notamment les précautions suivantes, comme lorsque vous utilisez tout autre appareil électrique :

- Lisez toutes les instructions avant d'utiliser la lampe.
- Pour réduire le risque de blessure, il faut une supervision adéquate lorsque cette lampe est utilisée à proximité d'enfants.
- N'utilisez que le chargeur fourni par le fabricant pour recharger la lampe.
- N'utilisez pas la lampe à l'extérieur.
- Pour réduire le risque de choc électrique, n'immergez pas la lampe dans de l'eau ou dans un autre liquide. Ne la placez pas ou ne la rangez pas à un endroit où elle risquerait de tomber ou d'être tirée dans une baignoire ou un lavabo.

Veillez lire ces consignes attentivement avant le fonctionnement afin d'utiliser la lampe torche efficacement et d'obtenir des prestations maximales. Veillez conserver ces consignes pour consultation future.

1. Suivez toutes les consignes de fonctionnement et de sécurité fixées au chargeur et à la pile.
2. Utilisez uniquement les blocs-piles Bosch avec le numéro de catalogue BAT411.
3. Ne lavez pas la lampe torche avec de l'eau et ne la gardez pas dans un endroit humide. Si la lampe torche se mouille, séchez-la dès que possible.
4. La lampe torche a une construction robuste. Elle doit, toutefois, être maniée avec précaution. Ne démontez pas la tête pivotante et ne forcez pas la butée limitant sa rotation.
5. Vérifiez le niveau de charge au moins une fois par mois, surtout si la lampe est utilisée pour des situations d'urgence (dans votre voiture, par exemple). Si l'éclairage semble plus faible, rechargez le bloc-piles.

INSTRUCTIONS RELATIVES À L'INSTALLATION

Pour réduire le risque de choc électrique, cet appareil électrique est muni d'une fiche polarisée (une lame est plus large que l'autre). Cette fiche ne tiendra dans une prise de courant polarisée que d'une seule manière. Si la fiche ne pénètre pas totalement dans la prise, inversez la position d'entrée de la fiche. Si elle n'entre toujours pas dans la prise, contactez un électricien professionnel pour installer une prise de courant polarisée adéquate. Ne modifiez la fiche d'aucune manière.

AVERTISSEMENT Pour réduire le risque de choc électrique, déconnectez le bloc-piles avant de nettoyer ou de réparer.

INSERTION ET RETRAIT DU BLOC-PILES

Pour remettre le bloc dans l'outil, glissez-le dans l'ouverture jusqu'à ce qu'il se verrouille en place. Ne forcez pas outre mesure.

Enlevez le bloc-piles de l'outil en pinçant les deux côtés à la hauteur des touches de déverrouillage et en le tirant vers le bas (Fig. 1).

FONCTIONNEMENT

1. Pour allumer la lampe torche, comprimez puis relâchez la gâchette. Pour l'éteindre, comprimez puis relâchez la gâchette.
2. Votre lampe torche est munie d'une tête pivotante que vous pouvez faire tourner pour la placer dans la position désirée. Pour changer la position de la tête, faites-la tourner dans le sens des aiguilles d'une montre jusqu'à ce qu'elle s'arrête de tourner. Pour remettre la tête dans sa position d'origine, faites-la tourner dans le sens contraire des aiguilles d'une montre jusqu'à ce qu'elle s'arrête de tourner.

INSTRUCTIONS DE MAINTENANCE PAR L'UTILISATEUR

AVERTISSEMENT Retirez toujours le bloc-piles de la base de la poignée avant de changer l'ampoule.

AVERTISSEMENT Toutes les réparations, électriques comme mécaniques, ne doivent être entreprises que par des techniciens qualifiés. Adressez-vous à votre Centre de service usine Bosch le plus proche, à une Station-service Bosch agréée ou à un autre service de réparation compétent.

1. Dévissez le capot de protection de l'ampoule en sens anti-horaire puis retirez-la soigneusement.
2. Enlevez l'ampoule du ressort.
3. Remontez l'ampoule de rechange dans le ressort.
4. Remontez le capot de protection de l'ampoule et serrez-la en tournant dans le sens horaire.
4. N'utilisez que des ampoules de 10.8V, V, .65A numéro 2610951871 disponibles auprès d'un centre de service d'usine Bosch.

Remarque : une ampoule de rechange est fournie dans le compartiment de rangement de l'ampoule. Pour retirer l'ampoule de rechange, faites tourner le cache dans le sens contraire des aiguilles d'une montre avec une petite pièce de monnaie ou un tournevis à lame plate afin d'exposer l'ampoule.



⚠ AVERTISSEMENT Ne positionnez pas la tête de la lampe torche allumée sur des matières inflammables ou combustibles, ou à proximité de telles matières. L'ampoule devient chaude durant l'usage.

⚠ AVERTISSEMENT L'ampoule devient très chaude pendant l'emploi. Ne touchez pas de verre très chaud pour ne pas risquer

de vous brûler. Pour réduire le risque d'incendie, gardez à distance de tous matériaux combustibles pendant l'emploi.

⚠ AVERTISSEMENT N'éclaboussez pas de liquides sur l'ampoule allumée de la lampe torche. Une ampoule chaude peut se briser au contact de liquides plus froids.

CONSERVEZ CES INSTRUCTIONS

Chargeur de pile

⚠ AVERTISSEMENT Avant d'utiliser le chargeur de pile, lisez toutes les consignes et tous les marquages d'avertissement sur (1) le chargeur de pile, (2) le bloc-piles et (3) le produit utilisant la pile.

N'utilisez que le chargeur qui accompagnait votre produit ou remplacement direct, comme indiqué dans le catalogue ou ce manuel. Ne substituez aucun autre chargeur. N'utiliser que les chargeurs approuvés par Bosch avec votre produit. Voir Description fonctionnelle et Spécifications.

Ne désassemblez pas le chargeur et ne l'utilisez pas s'il a reçu un choc violent, s'il est tombé ou s'il a été endommagé par ailleurs. Remplacez immédiatement les cordons ou les fiches abîmés. Un remontage incorrect ou des dommages peuvent provoquer un incendie ou des secousses électriques.

Ne rechargez pas la pile dans un environnement mouillé ou humide. N'exposez pas le chargeur à la pluie ou la neige. Si le boîtier de la pile est fissuré ou endommagé par ailleurs, ne l'insérez pas dans le chargeur. Il pourrait y avoir un incendie ou un court-circuit de pile.

Ne charger que des piles rechargeables approuvées par Bosch. Voir Description fonctionnelle et Spécifications. Les autres types de piles peuvent éclater causant ainsi des blessures et des dommages.

Chargez le bloc-piles à des températures de plus de 0 degrés C (+32°F) et de moins de 45 degrés C

(+113°F). Rangez l'outil et le bloc-piles à des endroits dont la température ne dépasse pas 49 degrés C (+120°F). Ceci est important pour prévenir des dommages considérables aux éléments des piles.

Il peut y avoir une fuite de pile dans des conditions extrêmes d'utilisation ou de température. Évitez tout contact avec la peau et les yeux. Le liquide de pile est caustique et pourrait causer des brûlures chimiques aux tissus. Si le liquide vient en contact avec la peau, lavez rapidement à l'eau savonneuse. Si le liquide vient en contact avec les yeux, rincez-les à l'eau pendant au moins 10 minutes et sollicitez des soins médicaux.

Posez le chargeur sur une surface plate ininflammable et à distance de matériaux inflammables lorsqu'on recharge un bloc-piles. Le chargeur et le bloc-piles s'échauffent pendant la charge. Le coussinet de mousse souple et autres surfaces isolantes empêchent la circulation normale de l'air, ce qui peut provoquer une surchauffe du chargeur et du bloc-piles. S'il y a dégagement de fumée ou si le boîtier fond, débranchez le chargeur immédiatement et n'utilisez ni le chargeur, ni le bloc-piles.

L'utilisation d'un accessoire non recommandé ni vendu par Bosch peut causer des risques d'incendie, de chocs électriques ou de lésions corporelles.

Entretien des piles

⚠ AVERTISSEMENT Lorsque les piles ne sont pas dans l'outil ou le chargeur, gardez-les à l'écart d'objets métalliques. Ainsi, pour éviter un court-circuitage des bornes, NE PLACEZ PAS les piles dans la boîte à outils ou dans la

poche avec des clous, des vis, des clés, etc. Ceci peut provoquer un incendie ou des blessures.

NE METTEZ PAS LES PILES AU FEU ET NE LES EXPOSEZ PAS À UNE CHALEUR ÉLEVÉE. Elles peuvent exploser.





Mise au rebut des piles

AVERTISSEMENT Ne tentez pas de désassembler le bloc-piles ou d'enlever tout composant faisant saillie des bornes de piles, ce qui peut provoquer un incendie ou des blessures. Avant la mise au rebut, protégez les bornes exposées à l'aide d'un ruban isolant épais pour prévenir le court-circuitage.

PILES LITHIUM-ION

Si le produit est équipé d'une pile lithium-ion, la pile doit être ramassée, recyclée ou mise au rebut d'une manière qui ne soit pas nocive pour l'environnement.



“Le sceau RBRC de recyclage des piles, homologué par l'EPA (Agence pour la protection de l'environnement des États-Unis), qui se trouve sur les piles au lithium-ion (Li-ion) indique que

Robert Bosch Tool Corporation participe volontairement

à un programme industriel de ramassage et de recyclage de ces piles au terme de leur vie utile, pourvu qu'elles soient mises hors service aux États-Unis ou au Canada. Le programme du RBRC offre une alternative pratique à la mise des piles au Li-ion usées au rebut ou au ramassage d'ordures municipal, ce qui pourrait être interdit dans votre région.

Veillez appeler le 1-800-8-BATTERY pour obtenir de plus amples renseignements sur le recyclage des piles au Li-ion et sur les restrictions ou interdictions de mise au rebut qui s'appliquent à votre région ou renvoyez vos piles à un Centre de Service Skil/Bosch/Dremel pour recyclage. La participation de Robert Bosch Tool Corporation à ce programme s'insère dans le contexte de notre engagement à préserver notre environnement et à conserver nos ressources naturelles.”



Description fonctionnelle et spécifications

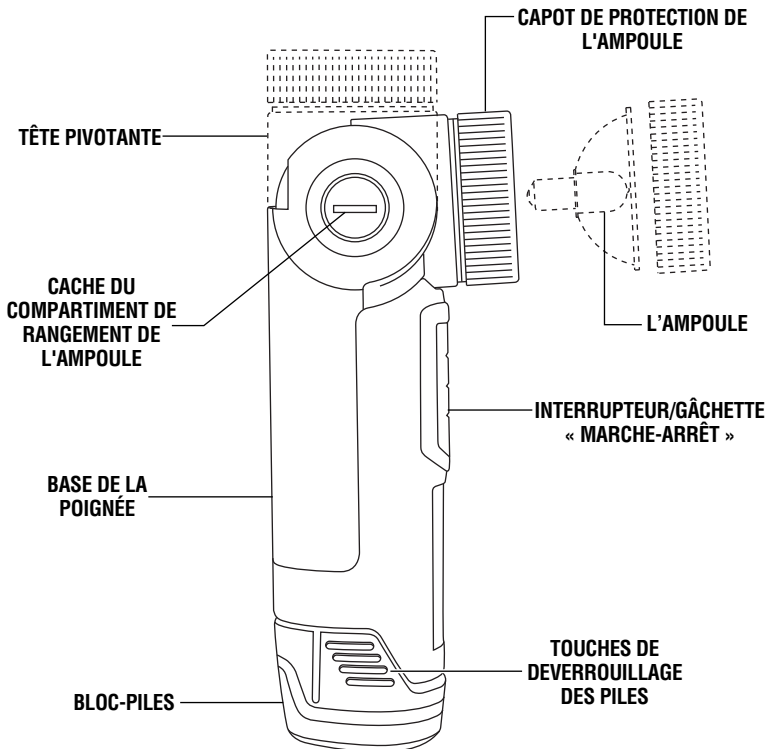


AVERTISSEMENT

Débranchez le bloc-piles de l'outil avant d'effectuer tout assemblage ou réglage, ou de changer des accessoires. Ces mesures de sécurité préventives réduisent le risque d'une mise en marche accidentelle de l'outil.

Lampe torche Bosch modèle FL10

FIG. 1



Numéro de modèle	FL10
Tension nominale	10.8V/12V \equiv MAX
Temps de Charge	30 minutes
Bloc piles	BAT411, BAT412 et BAT413
Chargeur	BC430
Tension nominale	120 V \sim 60 Hz
L'ampoule	2610951871

REMARQUES IMPORTANTES CONCERNANT LA CHARGE

1. De même, le chargeur n'est destiné qu'à la charge rapide des bloc-piles dont la température se situe entre 0°C (32°F) et 45°C (113°F). Si le bloc-piles est trop chaud ou trop froid, la charge rapide est alors impossible. (Chose possible si le bloc-piles devient trop chaud à l'usage intensif). Quand la température du bloc-piles retourne entre 0°C (32°F) et 45°C (113°F), le chargeur rassurera automatiquement sa fonction.
 - a. Vérifiez la présence de courant à la prise en y branchant un autre appareil électrique.
 - b. Vérifiez si la prise n'est pas raccordée conjointement à un interrupteur qui servirait à éteindre les lumières.
 - c. Vérifiez la propreté des bornes du bloc-piles. Nettoyez-les au besoin avec un bâtonnet imbibé d'alcool.
 - d. Si vous n'arrivez toujours pas à obtenir la charge satisfaisante, confiez l'outil, le bloc-piles et le chargeur à votre centre d'entretien Bosch habituel. Voir les noms et adresses des centres d'entretien sous la rubrique « Outils électriques » dans les pages jaunes de l'annuaire de téléphone.
2. Une diminution marquée de la réserve énergétique entre les charges peut signaler l'épuisement du bloc-piles et le besoin d'un remplacement.
3. N'oubliez pas de débrancher le chargeur durant la période de remisage.
4. Si le bloc-piles ne se charge pas normale-ment :

Remarque : L'utilisation de chargeurs ou de bloc-piles non vendus par Bosch annule la garantie.

TEMOINS DE CHARGE, SYMBOLES ET SIGNIFICATION

Si le témoin lumineux vert est éteint, ceci signifie que le chargeur ne reçoit pas de courant de la prise de courant.



Si le voyant vert s'allume, le chargeur est branché mais le bloc-piles n'est pas en place ou le bloc-piles est pleinement chargé et ne reçoit qu'une charge de maintien.



Si le voyant vert « CLIGNOTE » pendant la charge rapide du bloc-piles. La charge rapide prend automatiquement fin dès que le bloc-piles est totalement chargé.



Si le voyant rouge est allumé, le bloc-piles est trop chaud ou trop froid pour prendre la charge rapide. Le chargeur adoptera la charge de maintien jusqu'à ce que la température se normalise, alors qu'il passera automatiquement à la charge rapide.



Si le voyant rouge « CLIGNOTE », cela signifie que le bloc-piles ne peut pas accepter une charge ou que les contacts du chargeur ou du bloc-piles sont souillés. Nettoyez les contacts du chargeur ou du bloc-piles conformément aux recommandations des présentes instructions ou celles qui accompagnaient l'outil ou le bloc-piles.

CHARGEMENT DU BLOC-PILES (CHARGEUR 30 MINUTES BC430)

Branchez le cordon du chargeur dans votre prise de courant standard, insérez ensuite le bloc-piles dans le chargeur (Fig. 2).

Le témoin vert du chargeur commencera à CLIGNOTER, ce qui indique que la pile reçoit une charge rapide. La charge rapide s'arrêtera automatiquement lorsque le bloc-piles est à pleine charge.

Lorsque le témoin lumineux cesse de clignoter (et devient vert en continu), ceci signifie que la charge rapide est terminée.

On peut utiliser le bloc-piles même si le témoin clignote encore. Il peut falloir plus de temps pour que le témoin cesse de clignoter, suivant la température. Lorsque

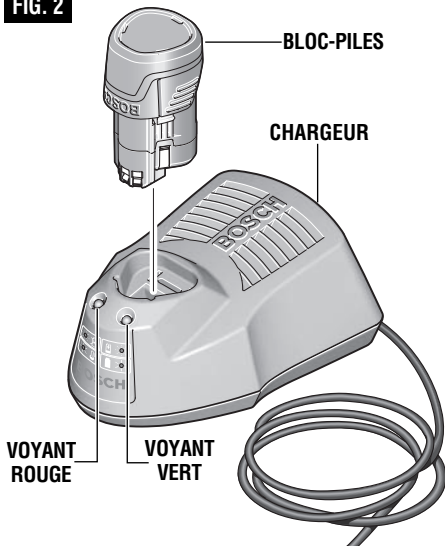
vous commencez le processus de charge du bloc-piles, un témoin rouge continu pourrait également signifier que le bloc-piles est trop chaud ou trop froid.

Le témoin vert a pour but d'indiquer que le bloc-piles est en charge rapide. Il n'indique pas le point exact de pleine charge. Le témoin cessera de clignoter en moins de temps si le bloc-piles n'était pas entièrement déchargé.

Lorsque plusieurs piles sont chargées l'une après l'autre, le temps de charge peut augmenter légèrement.

Lorsque le bloc-piles est entièrement chargé, débranchez le chargeur (à moins que vous ne chargiez un autre bloc-piles) et insérez le bloc-piles dans l'outil.

FIG. 2



Mise en garde de la FCC :

Le fabricant n'est pas responsable des perturbations radioélectriques causées par des modifications non autorisées de ce matériel. De telles modifications pourraient annuler le droit de l'utilisateur de se servir de ce matériel.

Cet appareil est conforme à la Partie 15 des Règles de la FCC. Son exploitation est sujette au respect de deux conditions :

- 1) Cet appareil ne risque pas de causer des interférences nuisibles ; et
- 2) Cet appareil doit accepter toutes les interférences reçues, y compris les interférences qui peuvent causer un fonctionnement indésirable.

REMARQUE : ce matériel a été testé et il a été démontré qu'il respecte les limites fixées pour un appareil numérique de Classe B, conformément à la Partie 15 des Règles de la FCC. Ces limites sont conçues de manière à assurer une protection raisonnable contre les perturbations nuisibles dans une installation résidentielle. Ce matériel produit, utilise et peut rayonner de l'énergie de fréquence radioélectrique et, s'il n'est pas installé et utilisé conformément aux instructions, il risque de causer des perturbations nuisibles aux communications radio. Cependant, il n'est pas possible de garantir qu'aucune perturbation ne résultera d'une installation particulière. Si ce matériel cause des perturbations radioélectriques nuisibles affectant la réception de la radio ou de la télévision – ce qui peut être déterminé en mettant ce matériel sous tension et hors tension – l'utilisateur devrait essayer de remédier à de telles perturbations en prenant une ou plusieurs des mesures suivantes :

- Changer l'orientation de l'antenne de réception ou la placer à un autre endroit.
- Augmenter la distance entre le matériel et le récepteur.
- Brancher le matériel dans une prise de courant faisant partie d'un circuit différent de celui auquel le récepteur est connecté.
- Consulter le revendeur ou un technicien radio/télévision expérimenté pour obtenir de l'aide.

Entretien

Service

AVERTISSEMENT IL N'EXISTE À L'INTÉRIEUR AUCUNE PIÈCE SUSCEPTIBLE D'ÊTRE ENTRETENUE PAR L'UTILISATEUR. L'entretien préventif exécuté par des personnes non autorisés peut entraîner un positionnement erroné des composants et des fils internes, ce qui peut présenter de graves dangers.

Nous recommandons de confier toute intervention d'entretien sur l'outil à un centre de service-usine Bosch ou à un centre de service après-vente Bosch agréé. **TECHNICIENS** : Débranchez l'outil et/ou le chargeur de la source de courant avant d'entretenir.

PILES

Faire attention aux blocs-piles qui approchent la fin de leur vie. Si vous remarquez une diminution dans les performances de votre outil ou une durée de fonctionnement réduite de manière significative entre charges, il est temps de remplacer le bloc-piles. S'il n'est pas remplacé, il se peut qu'il endommage le chargeur ou que l'outil fonctionne incorrectement.

GRAISSAGE DE L'OUTIL

Votre outil Bosch a été graissé de manière appropriée et il est prêt à l'usage.

MOTEURS C.C.

Le moteur de votre outil a été conçu pour de nombreuses heures d'utilisation fiable. Pour maintenir l'efficacité maximale du moteur, nous recommandons de l'examiner tous les six mois. Seul un moteur de remplacement Bosch authentique, conçu spécialement pour votre outil, doit être utilisé.

Nettoyage

AVERTISSEMENT Pour éviter les accidents, débranchez toujours l'outil et/ou le chargeur de la source de courant avant de nettoyer. La façon la plus efficace de nettoyer l'outil est à l'aide d'air sec comprimé. **Portez toujours des lunettes de sécurité en nettoyant les outils à l'air comprimé.**

Gardez les prises d'air et les interrupteurs propres et libres de débris. N'essayez pas de les nettoyer en introduisant des objets pointus dans leurs ouvertures.

MISE EN GARDE Certains agents de nettoyages et certains dissolvants abîment les pièces en plastique. Parmi ceux-ci se trouvent: l'essence, le tétrachlorure de carbone, les dissolvants de nettoyage chlorés, l'ammoniaque ainsi que les détergents domestiques qui en contiennent.

Accessoires

AVERTISSEMENT Si un cordon de rallonge s'avère nécessaire, vous devez utiliser un cordon avec conducteurs de dimension adéquate pouvant porter le courant nécessaire à votre outil. Ceci prévient une chute excessive de tension, une perte de courant ou une surchauffe. Les outils mis à la terre doivent utiliser des cordons de rallonge trifilaires pourvus de fiches à trois broches ainsi que des prises à trois broches.

REMARQUE : Plus le calibre est petit, plus le fil est gros.

DIMENSIONS DE RALLONGES RECOMMANDÉES OUTILS 120 VOLTS COURANT ALTERNATIF

Intensité nominale de l'outil	Calibre A.W.G.				Calibre en mm ²			
	25	50	100	150	15	30	60	120
3-6	18	16	16	14	0,75	0,75	1,5	2,5
6-8	18	16	14	12	0,75	1,0	2,5	4,0
8-10	18	16	14	12	0,75	1,0	2,5	4,0
10-12	16	16	14	12	1,0	2,5	4,0	—
12-16	14	12	—	—	—	—	—	—

INSTRUCCIONES DE SEGURIDAD IMPORTANTES

INSTRUCCIONES RELACIONADAS CON RIESGO DE INCENDIO, DESCARGAS ELÉCTRICAS O LESIONES A LAS PERSONAS

Esta linterna está diseñada para uso doméstico solamente.

ADVERTENCIA: Cuando utilice un electrodoméstico, se deben tomar siempre precauciones básicas, incluyendo las siguientes:

- Lea todas las instrucciones antes de utilizar el electrodoméstico.
- Para reducir el riesgo de lesiones, es necesaria una supervisión minuciosa cuando se utilice un electrodoméstico cerca de niños.
- Utilice únicamente el cargador suministrado por el fabricante para recargar la unidad.
- No utilice la unidad a la intemperie.
- Para reducir el riesgo de descargas eléctricas, no ponga la unidad en agua u otro líquido. No ponga ni almacene la unidad en un lugar donde se pueda caer a una tina o un lavamanos, ni en un lugar donde se pueda tirar de ella de manera que caiga en una tina o un lavamanos.

Por favor, lea detenidamente estas instrucciones antes de usar la linterna, para utilizarla de manera eficaz y obtener el máximo rendimiento. Por favor, guarde estas instrucciones para referencia futura.

1. Siga todos los procedimientos de utilización y de seguridad que se incluyen con el cargador y la batería.
2. Utilice solamente los paquetes de batería Bosch con número de catálogo BAT411.
3. No lave la linterna con agua ni la tenga en un lugar húmedo. Si la linterna se moja, séquela lo antes posible.
4. La linterna es de construcción sólida. Sin embargo, debe manejarse con cuidado. No desmonte la cabeza ni la pivote forzándola más allá de su punto de parada.
5. Compruebe el nivel de carga al menos una vez al mes, especialmente si la linterna se utiliza para propósitos de emergencia (por ejemplo, en el auto). Si parece que la luz pierde intensidad, recargue el paquete de batería.

INSTRUCCIONES DE INSTALACIÓN

Para reducir el riesgo de descargas eléctricas, este electrodoméstico tiene un enchufe polarizado (un terminal es más ancho que el otro). Este enchufe encajará solamente de una manera en un tomacorriente polarizado. Si el enchufe no encaja completamente en el tomacorriente, invierta el enchufe. Si sigue sin encajar, contacte a un electricista calificado para instalar el tomacorriente apropiado. No cambie el enchufe de ninguna manera.

ADVERTENCIA Para reducir el riesgo de descargas eléctricas, desconecte el paquete de batería antes de limpiar la unidad o hacerle servicio de ajustes y reparaciones.

INTRODUCCIÓN Y SUELTA DEL PAQUETE DE BATERÍAS

Para introducir la batería, alinee la batería e introduzca el paquete de baterías en la herramienta hasta que quede fijo en su posición. No lo fuerce.

Saque el paquete de baterías de la herramienta presionando sobre ambos lados de las lengüetas de liberación de las baterías y tire hacia abajo (Fig. 1).

UTILIZACION

1. Para encender la linterna, oprima y suelte el interruptor gatillo. Para apagar la linterna, oprima y suelte el interruptor gatillo.
2. La linterna tiene una cabeza articulada que se puede pivotar hasta la posición deseada. Para cambiar la posición de la cabeza, pivótelas en el sentido de las agujas del reloj hasta que se detenga. Para devolver la cabeza a su posición original, pivótelas en sentido contrario al de las agujas del reloj hasta que se detenga.

INSTRUCCIONES DE MANTENIMIENTO POR EL USUARIO

ADVERTENCIA Retire siempre el paquete de batería de la base del mango antes de cambiar la bombilla.

ADVERTENCIA Todas las reparaciones, eléctricas o mecánicas, deben ser realizadas únicamente por técnicos de reparación capacitados. Póngase en contacto con el Centro de Servicio de Fábrica Bosch más cercano, con la Estación de Servicio Bosch autorizada más cercana o con otro servicio de reparaciones competente.

1. Gire la tapa del lente en sentido contrario al de las agujas del reloj y quite cuidadosamente la tapa del lente.
2. Quite la bombilla del resorte.
3. Reinstale la bombilla de repuesto en el resorte.
4. Reinstale la tapa del lente y gírela en el sentido de las agujas del reloj para apretarla.
5. Utilice únicamente la bombilla de 10.8 V y .65 A número de pieza 2610951871 suministrada por un Centro de servicio de fábrica Bosch.

Nota: Se suministra una bombilla de repuesto en el compartimiento de almacenamiento de la bombilla. Para sacar la bombilla de repuesto, gire la tapa en sentido contrario al de las agujas del reloj con una moneda de 10 centavos o con un destornillador de punta plana, para dejar la bombilla al descubierto.

⚠ ADVERTENCIA No sitúe la cabeza de la linterna encendida sobre o cerca de materiales inflamables o combustibles. La bombilla se calienta durante el uso.

⚠ ADVERTENCIA El lente se calienta mucho durante el uso. Para reducir el riesgo de quemaduras, no toque el lente caliente. Para

reducir el riesgo de incendio, manténgalo alejado de los materiales combustibles mientras esté utilizando la linterna.

⚠ ADVERTENCIA No salpique con líquidos la bombilla de la linterna encendida. La bombilla caliente puede hacerse pedazos al entrar en contacto con líquidos más fríos.

GUARDE ESTAS INSTRUCCIONES

Batería/cargador

⚠ ADVERTENCIA Antes de utilizar el cargador de baterías, lea todas las instrucciones e indicaciones de precaución que se encuentran en (1) el cargador de baterías, (2) el paquete de baterías y (3) el producto que utiliza baterías.

Utilice solamente el cargador que acompañaba al el producto o un reemplazo directo según se indica en el catálogo o en este manual. No sustituirlo por ningún otro cargador. Utilice únicamente cargadores aprobados Bosch con su producto. Consulte Descripción funcional y especificaciones.

No desarme el cargador ni lo haga funcionar si ha recibido un golpe brusco, se ha caído o se ha dañado de cualquier modo. Cambie el cordón o los enchufes dañados inmediatamente. El reensamblaje incorrecto o los daños pueden ocasionar sacudidas eléctricas o incendio.

No recargue la batería en un entorno húmedo o mojado. No exponga el cargador a lluvia ni nieve. Si la caja de baterías está agrietada o dañada de algún otro modo, no la introduzca en el cargador. Se puede producir un cortocircuito de las baterías o un incendio.

Cargue únicamente baterías recargables aprobadas Bosch. Consulte Descripción funcional y especificaciones. Otros tipos de baterías pueden reventar causando lesiones personales y daños.

Cargue el paquete de baterías a temperaturas superiores a +32 grados F (0 grados C) e inferiores a

+113 grados F (45 grados C). Guarde la herramienta y el paquete de baterías en lugares donde las temperaturas no superen 120 grados F (49 grados C). Esto es importante para evitar daños graves a los elementos de la batería.

Se puede producir un escape del líquido de las baterías bajo condiciones extremas de uso o de temperatura. Evite el contacto con la piel y los ojos. El líquido de la batería es cáustico y podría causar quemaduras químicas en los tejidos. Si el líquido entra en contacto con la piel, lávela rápidamente con agua y jabón. Si el líquido entra en contacto con los ojos, enjuáguelos con agua durante un mínimo de 10 minutos y obtenga atención médica.

Ponga el cargador sobre superficies planas ininflamables y alejado de materiales inflamables cuando recargue el paquete de baterías. El cargador y el paquete de baterías se calientan durante el proceso de carga. Las alfombras y otras superficies termoaislantes bloquean la circulación adecuada de aire, lo cual puede causar sobrecalentamiento del cargador y del paquete de baterías. Si observa humo o que la carcasa se está derritiendo, desenchufe inmediatamente el cargador y no utilice el paquete de baterías ni el cargador.

El uso de un accesorio no recomendado ni vendido por Bosch puede constituir un peligro de incendio, sacudidas eléctricas o lesiones a las personas.

Cuidado de las baterías

⚠ ADVERTENCIA Cuando las baterías no están en la herramienta o en el cargador, manténgalas alejadas de objetos metálicos. Por ejemplo, para evitar que las terminales hagan cortocircuito, NO ponga las baterías en una caja de

herramientas o en un bolsillo con clavos, tornillos, llaves, etc. Se pueden producir un incendio o lesiones.

NO ARROJE LAS BATERIAS AL FUEGO NI LAS EXPONGA AL CALOR INTENSO. Pueden explotar.



Eliminación de las baterías

⚠ ADVERTENCIA No intente desarmar la batería ni quitar ninguno de los componentes que sobresalen de las terminales de la batería. Se pueden producir lesiones o un incendio. Antes de tirarla, proteja las terminales que están al descubierto con cinta adhesiva aislante gruesa para prevenir cortocircuitos.

BATERIAS DE LITHIUM-ION

Si este producto está equipado con una batería de lithium-ion, dicha batería debe recogerse, reciclarse o eliminarse de manera segura para el medio ambiente.



“El sello de reciclaje de baterías RBRC certificado por la EPA que se encuentra en la batería de lithium-ion (Li-ion) indica que Robert Bosch Tool Corporation está participando voluntariamente en un

programa de la industria para recoger y reciclar estas baterías al final de su vida útil, cuando se retiran de servicio en los Estados Unidos y Canadá. El programa RBRC proporciona una alternativa conveniente a tirar las baterías de Li-ion usadas a la basura o a la corriente municipal de aguas residuales, lo cual quizás sea ilegal en su área.

Tenga la amabilidad de llamar al 1-800-8-BATTERY para obtener información acerca de las prohibiciones/restricciones sobre el reciclaje y la eliminación de baterías de Li-ion en su lugar o devuelva las baterías a un Centro de servicio Skil/Bosch/Dremel para reciclarlas. La participación de Robert Bosch Tool Corporation en este programa es parte de nuestro compromiso hacia preservar nuestro medio ambiente y conservar nuestros recursos naturales.”

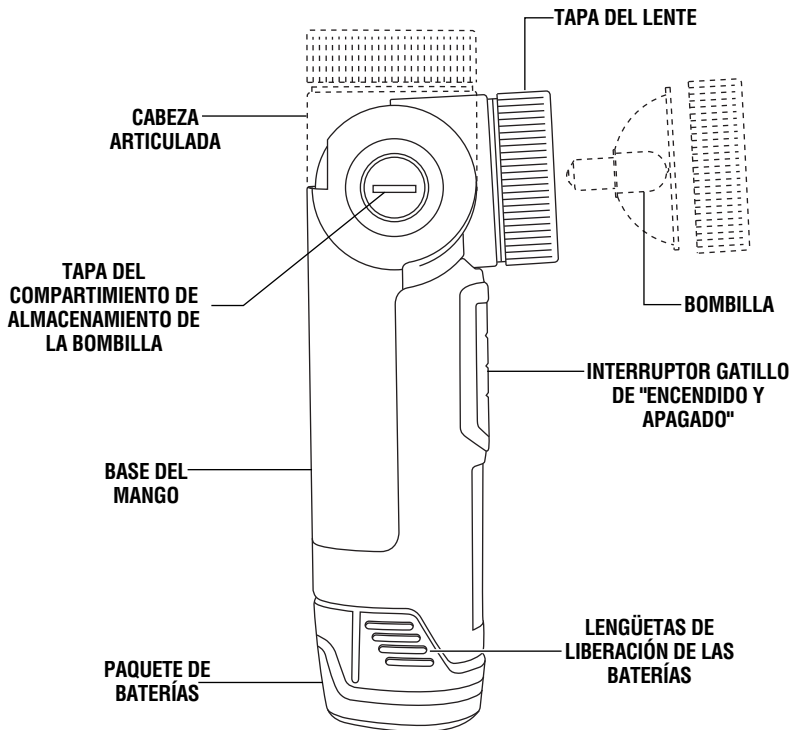


Descripción funcional y especificaciones

ADVERTENCIA Desconecte el paquete de batería de la herramienta antes de realizar cualquier ensamblaje, ajuste o cambio de accesorios. Dichas medidas preventivas de seguridad reducen el riesgo de arrancar la herramienta accidentalmente.

Linterna Bosch modelo FL10

FIG. 1



Número de modelo	FL10
Tensión nominal	10,8V/12V === MÁX
Tiempo de carga	30 minutos
Paquete de batería	BAT411, BAT412 y BAT413
Cargador	BC430
Tensión nominal	120 V ~ 60 Hz
Bombilla	2610951871



NOTAS IMPORTANTES PARA CARGAR

1. El cargador fue diseñado para cargar la batería rápidamente sólo cuando la temperatura de la batería está entre 0°C (32°F) y 45°C (113°F). Si el paquete de baterías está demasiado caliente o demasiado frío, el cargador no cargará rápidamente la batería. (Esto puede ocurrir si el paquete de baterías está caliente debido a una utilización intensa.) Cuando la temperatura de la batería vuelva a estar entre 0°C (32°F) y 45°C (113°F), el cargador comenzará a cargar automáticamente.
2. Un descenso considerable en el tiempo de funcionamiento por carga puede significar que el paquete de baterías se está acercando al final de su vida y que debe ser sustituido.
3. Recuerde desenchufar el cargador durante el período de almacenamiento.
4. Si la batería no carga adecuadamente:
 - a. Compruebe que hay tensión en el tomacorriente enchufando algún otro dispositivo eléctrico.
 - b. Compruebe si el tomacorriente está conectado a un interruptor de luz que corta el suministro de energía cuando se apagan las luces.
 - c. Compruebe si hay suciedad en las terminales del paquete de baterías. Límpielas con un pedazo de algodón y alcohol si es necesario.
 - d. Si usted sigue sin obtener una carga adecuada, lleve o envíe la herramienta, el paquete de baterías y el cargador al Centro de servicio Bosch local. Busque bajo "Herramientas eléctricas" en las páginas amarillas para obtener nombres y direcciones.

Nota: La utilización de cargadores o paquetes de batería no vendidos por Bosch anulará la garantía.

INDICADORES Y SIMBOLOS DEL CARGADOR Y SU SIGNIFICADO

Si la luz indicadora verde está apagada, el cargador no está recibiendo energía del tomacorriente de alimentación.



Si la luz indicadora verde está "ENCENDIDA", el cargador está enchufado pero el paquete de baterías no está introducido o el paquete de baterías se encuentra totalmente cargado y está siendo cargado continua y lentamente.



Si la luz indicadora verde "PARPADEA", el paquete de baterías está siendo cargado rápidamente. La carga rápida terminará automáticamente cuando el paquete de baterías esté totalmente cargado.



Si la luz indicadora roja está "ENCENDIDA", el paquete de baterías está demasiado caliente o demasiado frío para la carga rápida. El cargador cambiará a carga continua y lenta hasta que se alcance una temperatura adecuada, momento en el cual el cargador cambiará automáticamente a carga rápida.



Si la luz indicadora roja "PARPADEA", el paquete de baterías no puede aceptar una carga o los contactos del cargador o del paquete de baterías están contaminados. Limpie los contactos del cargador o del paquete de baterías únicamente tal como se indica en estas instrucciones de funcionamiento o en las que se suministran con la herramienta o con el paquete de baterías.

CARGA DEL PAQUETE DE BATERÍAS (CARGADOR DE 30 MINUTOS BC430)

Enchufe el cordón del cargador en un tomacorriente eléctrico estándar y luego introduzca el paquete de baterías en el cargador (Fig. 5).

La luz indicadora verde del cargador comenzará a "PARPADEAR". Esto indica que la batería está recibiendo una carga rápida. La carga rápida se detendrá automáticamente cuando el paquete de baterías esté completamente cargado.

Cuando la luz indicadora deje de "PARPADEAR" (y se vuelva una luz verde constante), la carga rápida habrá terminado.

El paquete de baterías se puede usar incluso aunque la luz siga parpadeando. Puede que tenga que pasar más tiempo para que la luz deje de parpadear, según la temperatura. Cuando comience el proceso de carga del

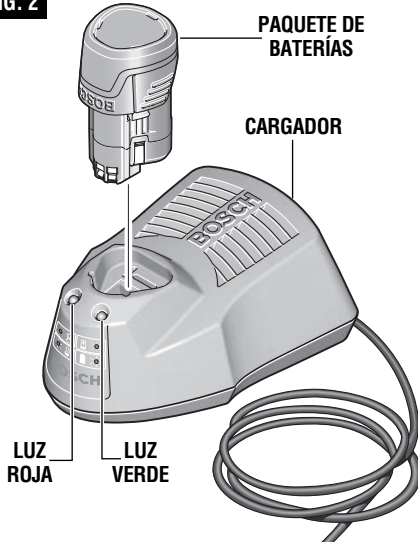
paquete de baterías, una luz roja constante también podría significar que el paquete de baterías está demasiado caliente o demasiado frío.

El propósito de la luz verde es indicar que el paquete de baterías se está cargando rápidamente. No indica el punto exacto de carga completa. La luz dejará de parpadear en menos mas tiempo hora si el paquete de baterías no estaba completamente descargado.

Al cargar varias baterías en secuencia, es posible que el tiempo de carga aumente ligeramente.

Cuando el paquete de baterías esté completamente cargado, desenchufe el cargador (a menos que vaya a cargar otro paquete de baterías) y vuelva a introducir el paquete de baterías en la herramienta.



FIG. 2

Aviso de precaución de la FCC:

El fabricante no es responsable de la radiointerferencia causada por las modificaciones no autorizadas que se realicen en este equipo. Dichas modificaciones podrían anular la autoridad del usuario para utilizar el equipo.

Este dispositivo cumple con la Parte 15 de las Reglas de la FCC. El funcionamiento está sujeto a las dos condiciones siguientes:

- 1) Este dispositivo no puede causar interferencias nocivas y
- 2) Este dispositivo debe aceptar cualquier interferencia recibida, incluyendo interferencia que pueda causar un funcionamiento no deseado.

NOTA: Este equipo ha sido sometido a pruebas y se ha comprobado que cumple con los límites para un dispositivo digital de Clase B, conforme a la parte 15 de las Normas de la FCC. Estos límites están diseñados para proporcionar protección razonable contra la interferencia perjudicial en una instalación residencial. Este equipo genera, usa y puede irradiar energía de radiofrecuencia y, si no se instala y utiliza de acuerdo con las instrucciones, puede causar interferencia perjudicial para las radiocomunicaciones. Sin embargo, no hay garantía de que no vaya a ocurrir interferencia en una instalación específica. Si este equipo causa interferencia perjudicial para la recepción de radio o televisión, lo cual se puede determinar apagando y encendiendo el equipo, se recomienda al usuario que intente corregir la interferencia tomando una o más de las medidas siguientes:

- Reoriente o reubique la antena receptora.
- Aumente la separación entre el equipo y el receptor.
- Conecte el equipo a un tomacorriente que esté en un circuito distinto al circuito al que el receptor esté conectado.
- Consulte al distribuidor o a un técnico experto en radio/TV para obtener ayuda.

Mantenimiento

Servicio

⚠ ADVERTENCIA **NO HAY PIEZAS EN EL INTERIOR QUE PUEDAN SER AJUSTADAS O REPARADAS POR EL USUARIO. El mantenimiento preventivo realizado por personal no autorizado puede dar lugar a la colocación incorrecta de cables y componentes internos que podría constituir un peligro serio.** Recomendamos que todo el servicio de las herramientas sea realizado en un Centro de servicio de fábrica Bosch o en una Estación de servicio Bosch autorizada. **TECNICOS DE REPARACIONES:** Desconecten la herramienta y/o el cargador de la fuente de energía antes de realizar servicio de ajustes y reparaciones.

BATERÍAS

Esté alerta a los paquetes de baterías que estén aproximándose al final de su vida útil. Si observa una disminución del rendimiento de la herramienta o un tiempo de funcionamiento significativamente más corto entre cargas, entonces ha llegado el momento de cambiar el paquete de baterías. Si no se hace esto, el resultado puede ser que la herramienta funcione incorrectamente o que el cargador se dañe.

LUBRICACION DE LAS HERRAMIENTAS

Su herramienta Bosch ha sido lubricada adecuadamente y está lista para la utilización.

MOTORES "CORRIENTE DIRECTA"

El motor de la herramienta ha sido diseñado para muchas horas de servicio fiable. Para mantener un rendimiento óptimo del motor, recomendamos que éste sea examinado cada seis meses. Sólo se debe usar un motor de repuesto Bosch genuino diseñado especialmente para la herramienta.

Limpieza

⚠ ADVERTENCIA **Para evitar accidentes, desconecte siempre la herramienta y/o el cargador de la fuente de energía antes de la limpieza.** La herramienta se puede limpiar más eficazmente con aire comprimido seco. **Use gafas de seguridad siempre que limpie herramientas con aire comprimido.**

Las aberturas de ventilación y las palancas de interruptor deben mantenerse limpias y libres de materias extrañas. No intente limpiar introduciendo objetos puntiagudos a través de las aberturas.

⚠ PRECAUCION **Ciertos agentes de limpieza y disolventes dañan las piezas de plástico.** Algunos de estos son: gasolina, tetracloruro de carbono, disolventes de limpieza clorados, amoníaco y detergentes domésticos que contienen amoníaco.

Accesorios

⚠ ADVERTENCIA **Si es necesario un cordón de extensión, se debe usar un cordón con conductores de tamaño adecuado que sea capaz de transportar la corriente necesaria para la herramienta.** Esto evitará caídas de tensión excesivas, pérdida de potencia o recalentamiento. Las herramientas conectadas a tierra deben usar cordones de extensión de 3 hilos que tengan enchufes de 3 terminales y receptáculos para 3 terminales.

NOTA: Cuanto más pequeño es el número de calibre, más grueso es el cordón.

TAMAÑOS RECOMENDADOS DE CORDONES DE EXTENSION HERRAMIENTAS DE 120 V CORRIENTE ALTERNA

Capacidad nominal en amperes de la herramienta	Tamaño del cordón en A.W.G.				Tamaños del cable en mm ²			
	Longitud del cordón en pies				Longitud del cordón en metros			
	25	50	100	150	15	30	60	120
3-6	18	16	16	14	0,75	0,75	1,5	2,5
6-8	18	16	14	12	0,75	1,0	2,5	4,0
8-10	18	16	14	12	0,75	1,0	2,5	4,0
10-12	16	16	14	12	1,0	2,5	4,0	—
12-16	14	12	—	—	—	—	—	—



Notes:

Remarques :

Notas:





LIMITED WARRANTY OF BOSCH PORTABLE AND BENCHTOP POWER TOOLS

Robert Bosch Tool Corporation ("Seller") warrants to the original purchaser only, that all BOSCH portable and benchtop power tools will be free from defects in material or workmanship for a period of one year from date of purchase. SELLER'S SOLE OBLIGATION AND YOUR EXCLUSIVE REMEDY under this Limited Warranty and, to the extent permitted by law, any warranty or condition implied by law, shall be the repair or replacement of parts, without charge, which are defective in material or workmanship and which have not been misused, carelessly handled, or misrepaired by persons other than Seller or Authorized Service Station. To make a claim under this Limited Warranty, you must return the complete portable or benchtop power tool product, transportation prepaid, to any BOSCH Factory Service Center or Authorized Service Station. For Authorized BOSCH Power Tool Service Stations, please refer to your phone directory.

THIS LIMITED WARRANTY DOES NOT APPLY TO ACCESSORY ITEMS SUCH AS CIRCULAR SAW BLADES, DRILL BITS, ROUTER BITS, JIGSAW BLADES, SANDING BELTS, GRINDING WHEELS AND OTHER RELATED ITEMS.

ANY IMPLIED WARRANTIES SHALL BE LIMITED IN DURATION TO ONE YEAR FROM DATE OF PURCHASE. SOME STATES IN THE U.S., SOME CANADIAN PROVINCES DO NOT ALLOW LIMITATIONS ON HOW LONG AN IMPLIED WARRANTY LASTS, SO THE ABOVE LIMITATION MAY NOT APPLY TO YOU.

IN NO EVENT SHALL SELLER BE LIABLE FOR ANY INCIDENTAL OR CONSEQUENTIAL DAMAGES (INCLUDING BUT NOT LIMITED TO LIABILITY FOR LOSS OF PROFITS) ARISING FROM THE SALE OR USE OF THIS PRODUCT. SOME STATES IN THE U.S. AND SOME CANADIAN PROVINCES DO NOT ALLOW THE EXCLUSION OR LIMITATION OF INCIDENTAL OR CONSEQUENTIAL DAMAGES, SO THE ABOVE LIMITATION OR EXCLUSION MAY NOT APPLY TO YOU.

THIS LIMITED WARRANTY GIVES YOU SPECIFIC LEGAL RIGHTS, AND YOU MAY ALSO HAVE OTHER RIGHTS WHICH VARY FROM STATE TO STATE IN THE U.S., PROVINCE TO PROVINCE IN CANADA AND FROM COUNTRY TO COUNTRY.

THIS LIMITED WARRANTY APPLIES ONLY TO PORTABLE AND BENCHTOP ELECTRIC TOOLS SOLD WITHIN THE UNITED STATES OF AMERICA, CANADA AND THE COMMONWEALTH OF PUERTO RICO. FOR WARRANTY COVERAGE WITHIN OTHER COUNTRIES, CONTACT YOUR LOCAL BOSCH DEALER OR IMPORTER.

GARANTIE LIMITÉE DES OUTILS ÉLECTRIQUES PORTATIFS ET D'ÉTABLI BOSCH

Robert Bosch Tool Corporation (le « vendeur ») garantit à l'acheteur initial seulement que tous les outils électriques portatifs et d'établi BOSCH seront exempts de vices de matériaux ou d'exécution pendant une période d'un an depuis la date d'achat. LA SEULE OBLIGATION DU VENDEUR ET LE SEUL RECOURS DE L'ACHETEUR sous la présente garantie limitée, et en autant que la loi le permette sous toute garantie ou condition implicite qui en découlerait, sera l'obligation de remplacer ou réparer gratuitement les pièces défectueuses matériellement ou comme fabrication, pourvu que lesdites défectosités ne soient pas attribuables à un usage abusif ou à quelque réparation bricolée par quelqu'un d'autre que le vendeur ou le personnel d'une station-service agréée. Pour présenter une réclamation en vertu de cette garantie limitée, vous devez renvoyer l'outil électrique portatif ou d'établi complet, port payé, à tout centre de service agréé ou centre de service usine. Veuillez consulter votre annuaire téléphonique pour les adresses.

LA PRÉSENTE GARANTIE NE S'APPLIQUE PAS AUX ACCESSOIRES TELS QUE LAMES DE SCIÉS CIRCULAIRES, MÊCHES DE PERCEUSES, FERS DE TOUPIES, LAMES DE SCIÉS SAUTEUSES, COURROIES DE PONÇAGE, MEULES ET AUTRES ARTICLES DU GENRE.

TOUTE GARANTIE IMPLICITE SERA LIMITÉE COMME DURÉE À UN AN À COMPTER DE LA DATE D'ACHAT. CERTAINS ÉTATS AMÉRICAINS, CERTAINES PROVINCES CANADIENNES N'ADMETTANT PAS LE PRINCIPE DE LA LIMITATION DE LA DURÉE DES GARANTIES IMPLICITES, IL EST POSSIBLE QUE LES LIMITATIONS CI-DESSUS NE S'APPLIQUENT PAS À VOTRE CAS.

EN AUCUN CAS LE VENDEUR NE SAURAIT ÊTRE TENU POUR RESPONSABLE DES INCIDENTS OU DOMMAGES INDIRECTES (INCLUANT, MAIS NE SE LIMITANT PAS AUX PERTES DE PROFITS) CONSÉQUENTS À LA VENTE OU L'USAGE DE CE PRODUIT. CERTAINS ÉTATS AMÉRICAINS ET CERTAINES PROVINCES CANADIENNES N'ADMETTANT PAS LE PRINCIPE DE LA LIMITATION NI L'EXCLUSION DES DOMMAGES INDIRECTES ET CONSÉQUENTIELS, IL EST POSSIBLE QUE LES LIMITATIONS OU EXCLUSIONS CI-DESSUS NE S'APPLIQUENT PAS À VOTRE CAS.

LA PRÉSENTE GARANTIE VOUS ACCORDE DES DROITS BIEN DÉTERMINÉS, Y COMPRIS POSSIBLEMENT CERTAINS DROITS VARIABLES DANS LES DIFFÉRENTS ÉTATS AMÉRICAINS, PROVINCES CANADIENNE ET DE PAYS À PAYS.

CETTE GARANTIE LIMITÉE NE S'APPLIQUE QU'ÀUX OUTILS ÉLECTRIQUES PORTATIFS ET D'ÉTABLI VENDUS AUX ÉTATS-UNIS D'AMÉRIQUE, AU CANADA ET AU COMMONWEALTH DE PUERTO RICO. POUR COUVERTURE DE GARANTIE DANS LES AUTRES PAYS, CONTACTEZ VOTRE IMPORTATEUR OU REVENDEUR BOSCH LOCAL.

GARANTIA LIMITADA PARA HERRAMIENTAS MECANICAS PORTATILES Y PARA TABLERO DE BANCO BOSCH

Robert Bosch Tool Corporation ("el Vendedor") garantiza, únicamente al comprador original, que todas las herramientas mecánicas portátiles y para tablero de banco BOSCH estarán libres de defectos de material o de fabricación durante un período de un año a partir de la fecha de compra. LA ÚNICA OBLIGACION DEL VENDEADOR Y EL RECURSO EXCLUSIVO QUE USTED TIENE bajo esta Garantía Limitada y, hasta donde la ley lo permita, bajo cualquier garantía o condición implícita por ley, consistirá en la reparación o sustitución sin costo de las piezas que presenten defectos de material o de fabricación y que no hayan sido utilizadas incorrectamente, manejadas descuidadamente o reparadas incorrectamente por personas que no sean el Vendedor o una Estación de servicio autorizada. Para efectuar una reclamación bajo esta Garantía Limitada, usted debe devolver el producto, que consiste en la herramienta mecánica portátil o para tablero de banco completa, con el transporte pagado, a cualquier Centro de servicio de fábrica o Estación de servicio autorizada. Para Estaciones de servicio autorizadas de herramientas mecánicas BOSCH, por favor, consulte el directorio telefónico.

ESTA GARANTIA LIMITADA NO SE APLICA A ARTICULOS ACCESORIOS TALES COMO HOJAS PARA SIERRAS CIRCULARES, BROCAS PARA TALADROS, BROCAS PARA FRESADORAS, HOJAS PARA SIERRAS DE VAIVEN, CORREAS PARA LIJAR, RUEDAS DE AMOLAR Y OTROS ARTICULOS RELACIONADOS.

TODAS LAS GARANTIAS IMPLICITAS TENDRAN UNA DURACION LIMITADA A UN AÑO A PARTIR DE LA FECHA DE COMPRA. ALGUNOS ESTADOS DE LOS EE.UU. Y ALGUNAS PROVINCIAS CANADIENSES NO PERMITEN LIMITACIONES EN CUANTO A LA DURACION DE UNA GARANTIA IMPLICITA. POR LO QUE ES POSIBLE QUE LA LIMITACION ANTERIOR NO SEA APLICABLE EN EL CASO DE USTED.

EL VENDEADOR NO SERA RESPONSABLE EN NINGUN CASO DE NINGUN DAÑO INCIDENTAL O EMERGENTE (INCLUYENDO PERO NO LIMITADO A RESPONSABILIDAD POR PERDIDA DE BENEFICIOS) QUE SE PRODUZCA COMO CONSECUENCIA DE LA VENTA O UTILIZACION DE ESTE PRODUCTO. ALGUNOS ESTADOS DE LOS EE.UU. Y ALGUNAS PROVINCIAS CANADIENSES NO PERMITEN LA EXCLUSION O LIMITACION DE LOS DAÑOS INCIDENTALES O EMERGENTES, POR LO QUE ES POSIBLE QUE LA LIMITACION O EXCLUSION ANTERIOR NO SEA APLICABLE EN EL CASO DE USTED.

ESTA GARANTIA LIMITADA LE CONFIERE A USTED DERECHOS LEGALES ESPECIFICOS Y ES POSIBLE QUE USTED TAMBIEN TENGA OTROS DERECHOS QUE VARIAN DE ESTADO A ESTADO EN LOS EE.UU., DE PROVINCIA A PROVINCIA EN CANADA Y DE UN PAIS A OTRO.

ESTA GARANTIA LIMITADA SE APLICA SOLAMENTE A HERRAMIENTAS ELECTRICAS PORTATILES Y PARA TABLERO DE BANCO VENDIDAS EN LOS ESTADOS UNIDOS DE AMERICA, CANADA Y EL ESTADO LIBRE ASOCIADO DE PUERTO RICO. PARA COBERTURA DE GARANTIA EN OTROS PAISES, PONGASE EN CONTACTO CON SU DISTRIBUIDOR O IMPORTADOR LOCAL DE BOSCH.

© Robert Bosch Tool Corporation 1800 W. Central Road Mt. Prospect, IL 60056-2230

Exportado por: Robert Bosch Tool Corporation Mt. Prospect, IL 60056-2230, E.U.A.

Importado a México por: Robert Bosch, S.A. de C.V., Calle Robert Bosch No. 405, Zona Industrial, Toluca, Edo. de México, C.P. 50070, Tel. (722) 2792300

2610022016 04/12



2 6 1 0 0 2 2 0 1 6

